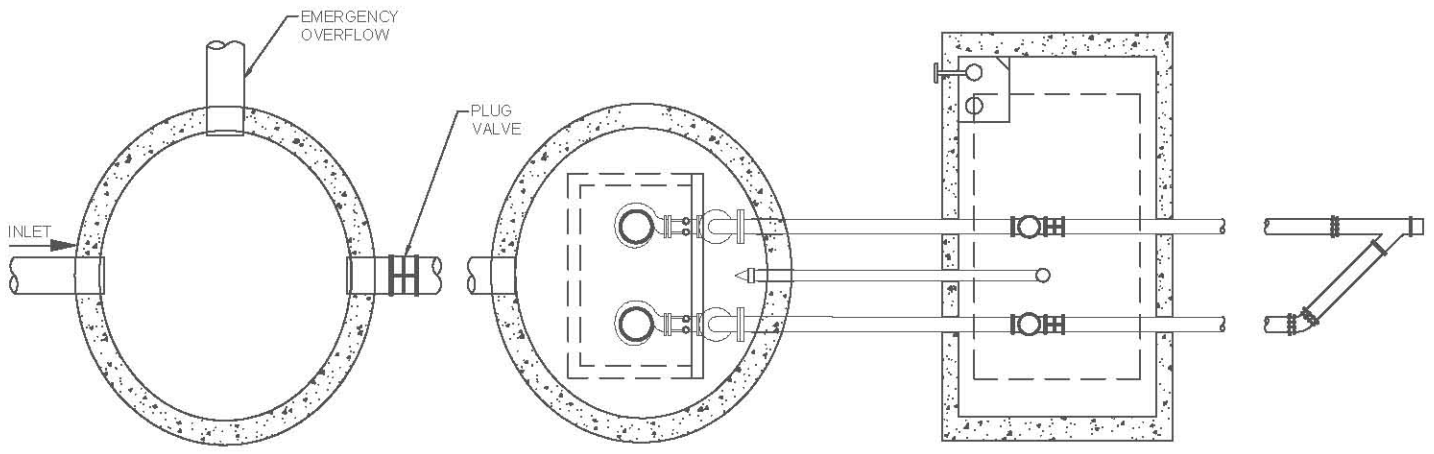


**SECTION VIEW**



**PLAN VIEW**

NOT TO SCALE



ENGINEERING &  
PUBLIC WORKS

**PRIVATELY-MAINTAINED  
SUBMERSIBLE PUMPING STATION**

APPROVED BY: *Andrew B. Stone*  
Andrew B. Stone, PE, City Engineer & Director of Public Works

STD. DRAWING #:

**509**

DRAWN BY: Alex Ray, EI

DATE: 8/16/12