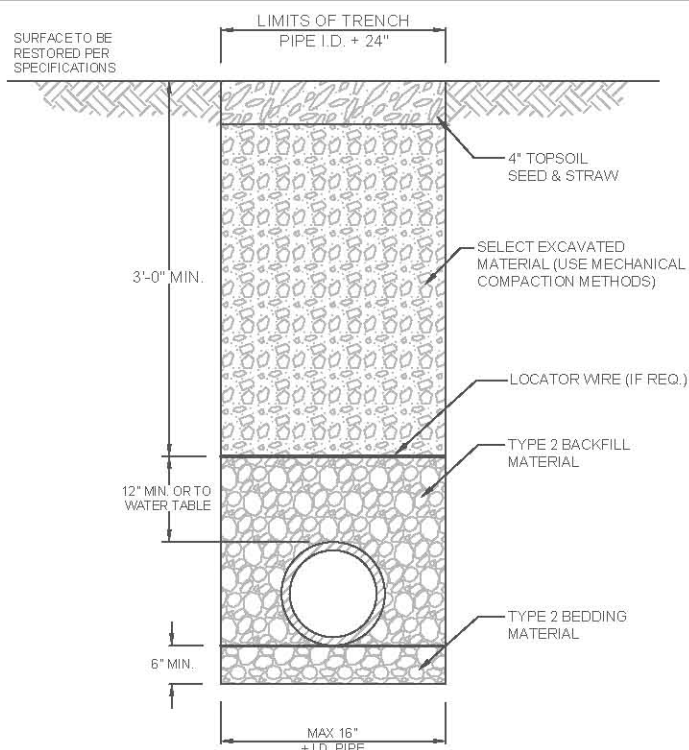
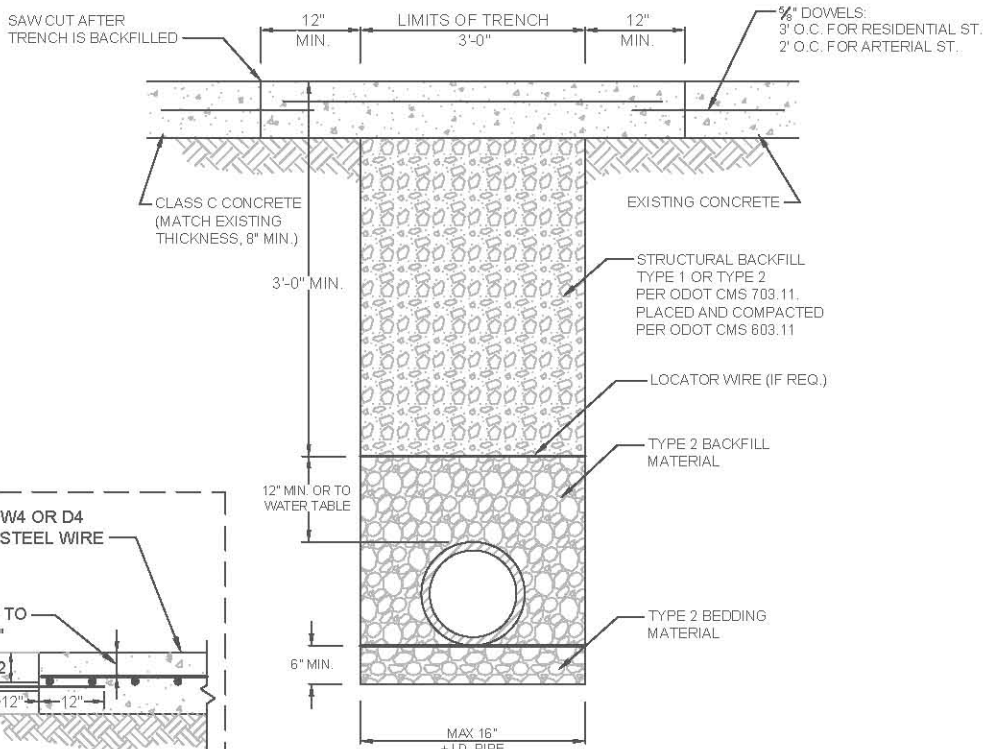


CONDUIT DETAIL TYPICAL SECTION UNDER GRAVEL DRIVE

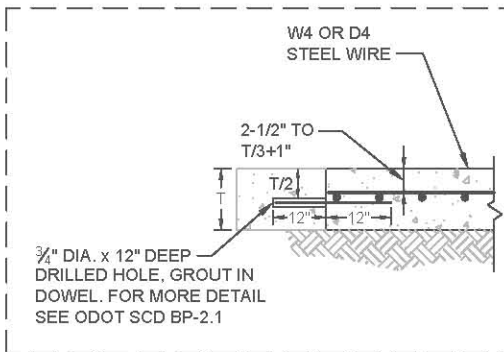


CONDUIT DETAIL TYPICAL SECTION UNDER SOD/WOODED AREAS



CONDUIT DETAIL TYPICAL SECTION UNDER CONCRETE ROADWAY W/ DOWEL INSTALLATION

NOT TO SCALE



ENGINEERING & PUBLIC WORKS

TYPICAL TRENCH BACKFILL DETAIL (RIGID PAVEMENT, GRAVEL & SOD)

APPROVED BY: *Andrew B. Stone*
Andrew B. Stone, PE, City Engineer & Director of Public Works

STD. DRAWING #:
513
Sheet 2 of 2

DRAWN BY: Alex Ray, EI

DATE: 8/16/12