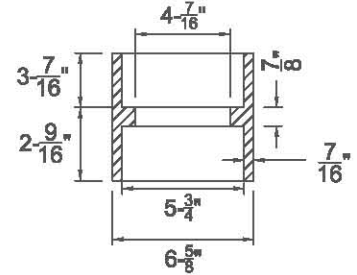
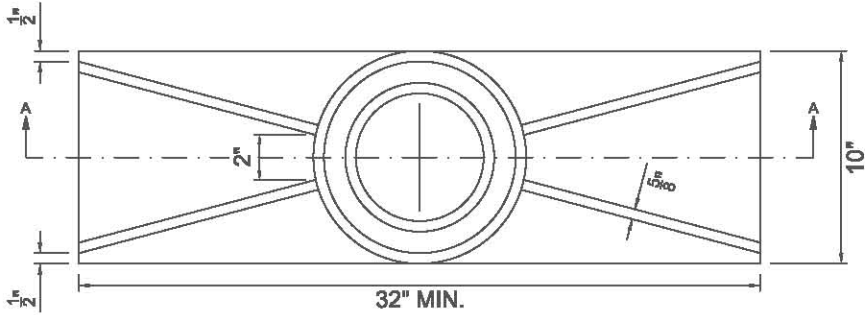
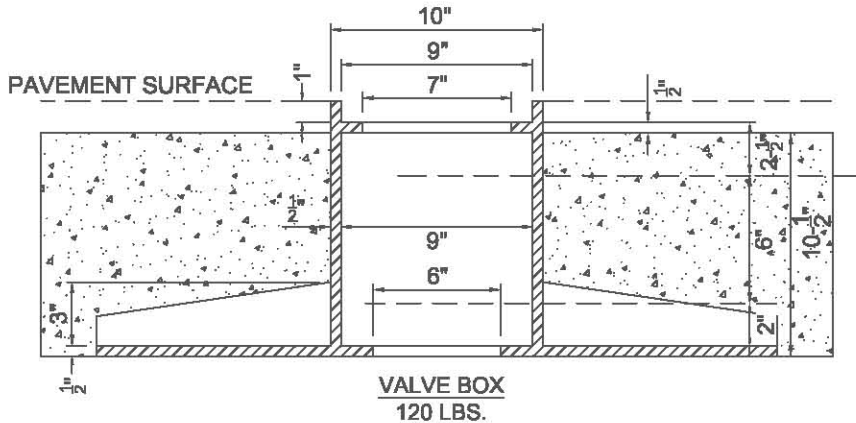


NOTE:
AVERAGE WEIGHTS TO THE
NEAREST EVEN LB. CALCULATED
USING 0.26 LB/CU. IN.

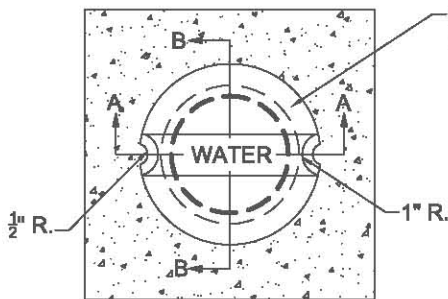
NOTE:
NO MORE THAN ONE VALVE STEM
SLEEVE PERMITTED PER VALVE
SETTING.



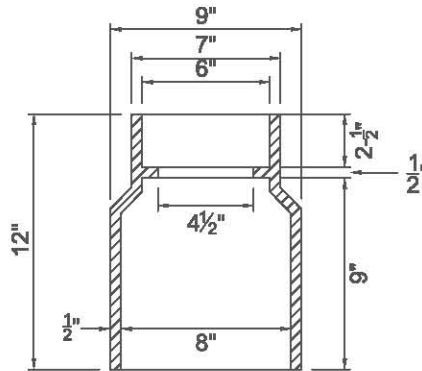
VALVE STEM
SLEEVE
14 LBS.



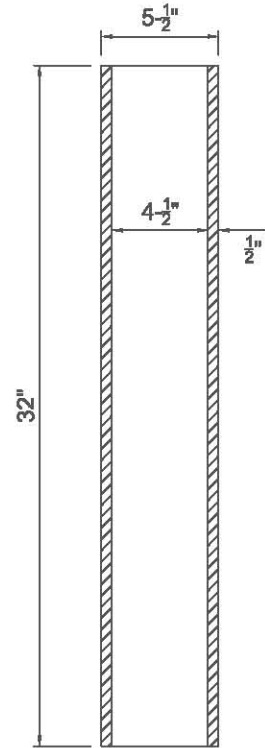
VALVE BOX
120 LBS.



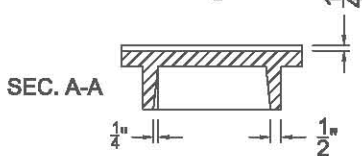
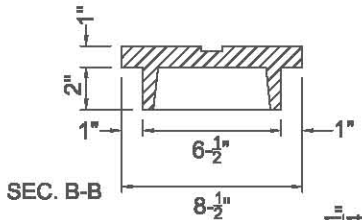
CUSTOM COVER
MARKED WITH 'WATER'



VALVE BOX BASE
41 LBS.



VALVE STEM
65 LBS.
(or 5" C.I. Pipe-ASA022)



VALVE BOX LID
17 LBS.

NOT TO SCALE



ENGINEERING &
PUBLIC WORKS

TYPICAL HEAVY DUTY VALVE BOX

APPROVED BY:

Andrew B. Stone

Andrew B. Stone, PE, City Engineer & Director of Public Works

STD. DRAWING #:

308

DRAWN BY: Alex Ray, EI

DATE: 8/16/12